

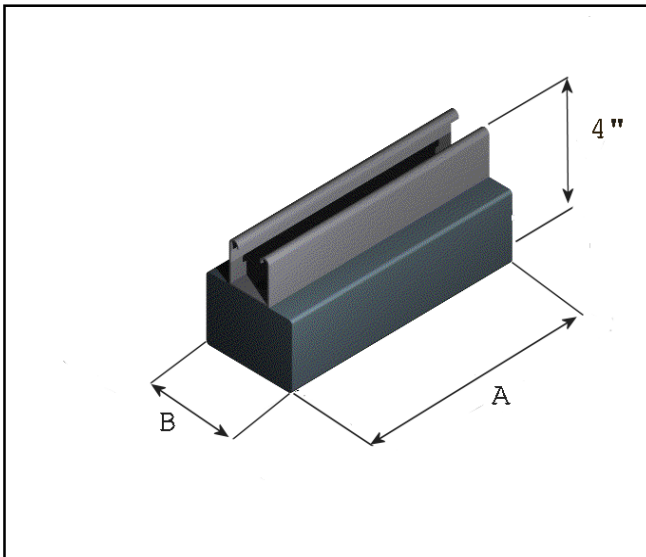


ADVANCED SUPPORT PRODUCTS, INC.

EcoBloc3S

Plastic EcoBloc with Strut

Specification Sheet



Model	Dimensions		Weight
	A	B	
3EB6S	6"/15.20cm	3-1/2"/8.90cm	2-1/2 lb/1.13kg
3EB9S	9"/22.86cm	3-1/2"/8.90cm	4 lb/1.81kg
3EB13S	13"/33.02cm	3-1/2"/8.90cm	5 lb/2.27kg

EcoBloc3S – Plastic EcoBloc with Strut Support – Is designed specifically for use on rooftop without adhesive, roof penetrations, flashings or damage to roofing system. Designed to support conduit or pipe sizes up to $\varnothing 4"$. Strut is attached directly to **EcoBloc** with 3/8" X 1-1/2" Lag Bolts with 3/8" washers. Strut clamps are suggested to hold conduit or piping.



Materials

EcoBloc: Manufactured from Recycled Plastic, extruded. Density 57-60 lbs/ft³. Compressive strength (psi) 3500.

LEED: Minimum 96% comingled post consumer and/or post industrial recycled plastics with UV stability additives.

EcoBloc Dimensions: Overall 2-1/2" high X 3-1/2" wide, available in length of 6", 9" or 13"

Frame: 1-5/8" X 1-5/8" 12 ga. channel (ASTM A653) - available in Pre-Galvanized Zinc coated, Hot-Dip Galvanized or Stainless Steel finishes.

Hardware: 3/8" X 1-1/2" Lag Bolts; 3/8" washers available in Pre-Galvanized Zinc coated, Hot-Dip Galvanized or Stainless Steel finishes.

Accessories: Strut Clamps; Protection Pads

Installation:

- Verify that roof surface is smooth and clean to extent needed to receive materials.
- Review approved final drawings to determine the locations of EcoBloc Supports.
- Clean surfaces to receive EcoBloc Supports removing any loose gravel and any foreign matter before setting EcoBloc Supports.
- Accurately locate and align pre-fabricated EcoBloc supports in locations specified as per approved shop drawings or as required herein and by site conditions to limit pipe and/or conduit deflection to L/240, not to exceed 10' (3m) on center. If Isolation pads are required, place under each EcoBloc Support.
- Should the roofing manufacturer require a separation sheet between the roof and the EcoBloc Support system, place a separation sheet or protective pad conforming to the existing roof manufacturer's system under each EcoBloc Support. Do not adhere to the roof system or to EcoBloc Support.
- Repeat until all supports supplied are installed in accordance with approved shop drawings.
- Remove any unused materials and packaging from job site.

This print/image and design and detail shown hereon is the property of Advanced Support Products, Inc. This print is furnished with the understanding that it is not to be reproduced without permission, and must be returned upon demand. All rights of design and invention are reserved by Advanced Support Products.

Patents #5816554 ; #6229497; #6427965; #6448497; #6578827 © 2010