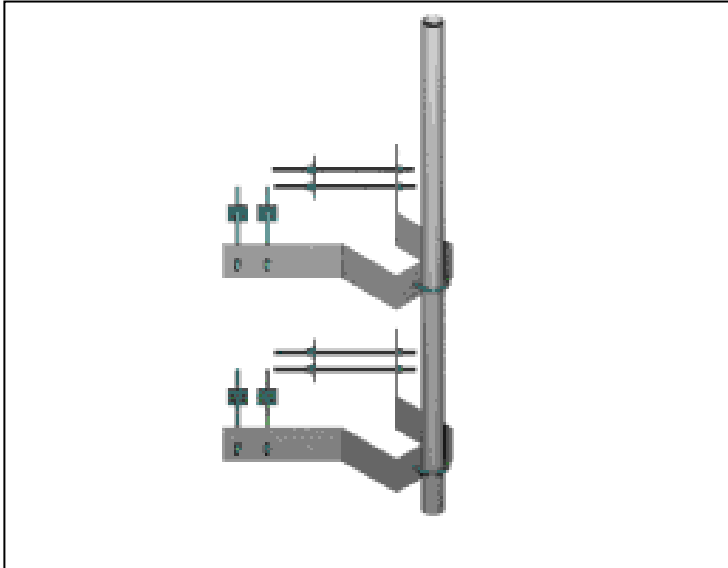




ASP-OCM Antenna Mount

Outside Corner Antenna Mount

Specification Sheet



ASP-OCM– Outside Corner Antenna Mount - This outside corner wall antenna mount can be adjusted in height and is held in place with U-Bolts. Eight 1/2" threaded rods and nuts connect with the base bar to the backing for a secure installation on wall mount applications.



Materials

Antenna Mount: 4"X1/4" flat bar; 2" Ø Schedule 40 Pipe; Hot-Dip Galvanized after fabrication.

Hardware: 1/2" allthread rods, 12"L; 1/2" U-Bolts; with 2"X2" flat bar washers and 1/2" Nuts and Washers; available in Pre-Galvanized Zinc coated or Hot-Dip Galvanized.

Model	Dimensions			Weight
	Length	Width	# Mast	
ASPOCM	12"/.3048m	8"/.2032m	1 – 5' H	60 lb/27.2155kg

Optional 2" Ø or 4" Ø Schedule 40 Pipe for Mast
Custom sizes and heights are available.

Installation:

- A. Verify that roof surface is smooth and clean to extent needed to receive materials.
- B. Review approved final drawings to determine the locations of Antenna Mount.
- C. Clean surfaces to receive 17" circular bases removing any loose gravel and any foreign matter before setting 17" circular support bases.
- D. Accurately locate Antenna Mount in location specified as per approved shop drawings or as required herein and by site conditions. No Isolation pads are required under the 17" circular bases.
- E. Should the roofing manufacturer require a separation sheet between the roof and the support system, place a separation sheet or protective pad conforming to the existing roof manufacturer's system under 17" circular bases. Do not adhere to the roof system or 17" circular bases.
- F. Insert steel frame structures into 17" circular bases as indicated in above drawing.
- G. Adjust height of each support base for equal weight disbursement. Correct if necessary.
- H. Repeat until all support bases supplied are installed in accordance with approved shop drawings.
- I. Remove any unused materials and packaging from job site.

This print/image and design and detail shown hereon is the property of Advanced Support Products, Inc. This print is furnished with the understanding that it is not to be reproduced without permission, and must be returned upon demand. All rights of design and invention are reserved by Advanced Support Products.

Patents #5816554 ; #6229497; #6427965; #6448497; #6578827 © 2010